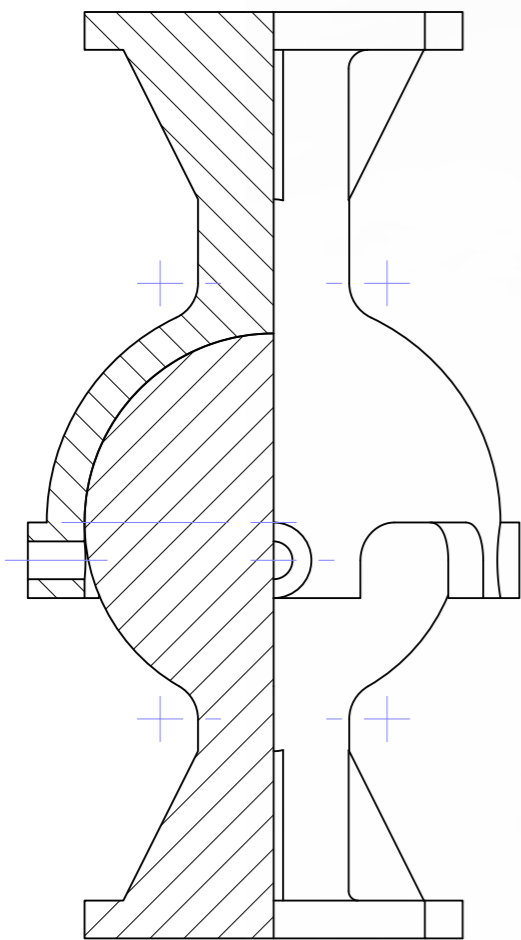
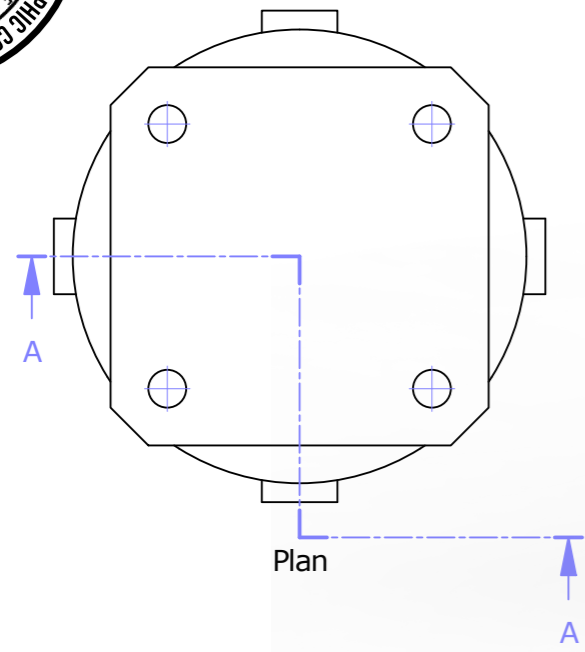
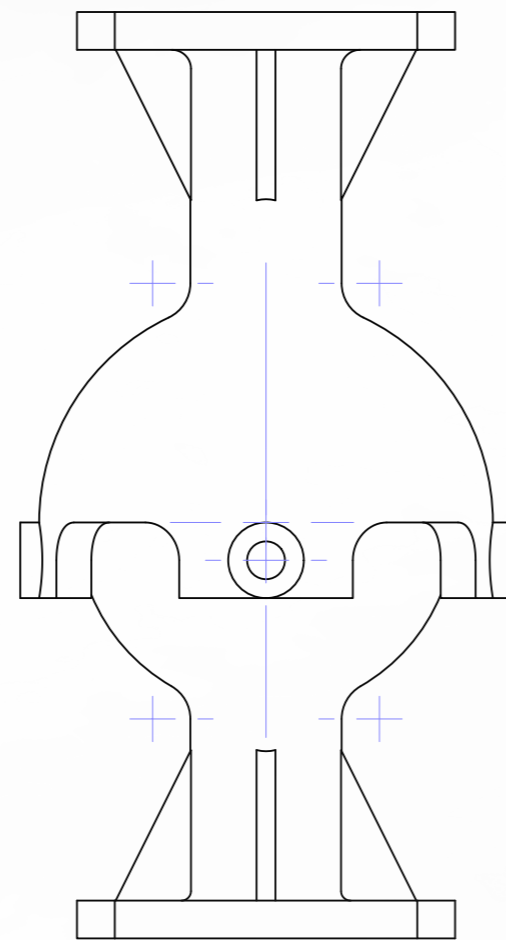




DRAWING TITLE:	BALL HINGE
COURSE OR LEVEL:	HIGHER GRAPHIC COMMUNICATION
CHALLENGE VERSION :	V2_0320
SCALE:	NTS
NOTES:	AUXILIARY VIEWS AND CIRCULAR ARRAY ARE IMPORTANT TO THIS CHALLENGE.



Section A-A



Elevation

